

## 12501-R2 - 12100-R2 INSTALLATION INSTRUCTIONS



### BEFORE YOU BEGIN

Read and follow all safety instructions

WARNING:



RISK OF FIRE AND ELECTRICAL SHOCK. FIXTURE MUST BE INSTALLED BY A QUALIFIED ELECTRICIAN ONLY IN ACCORDANCE WITH NATIONAL, LOCAL BUILDING AND ELECTRICAL CODES. DISCONNECT POWER AT ELECTRICAL PANEL BEFORE SERVICING.



### WARNING

#### RISK OF FIRE, EXPLOSION AND ELECTRIC SHOCK

- This product should be installed, inspected, and maintained by a qualified electrician only, in accordance with the NEC (National Electric Code) and all local codes.
- Turn off electrical power before inspection, installation or removal.
- Use only UL (or other NRTL) approved wire for input/output connections.
- Make sure LEDs and drivers are cool to touch when performing maintenance.  
Make sure the supply voltage is the same as the rated voltage of the luminaire.
- Do not install in a hazardous atmosphere, except where the ambient temperature does not exceed the rated operating temperature of the fixture.
- Keep tightly closed when in operation



#### Prepare Electrical Wiring



##### Electrical Requirements

Must check if the local voltage range is correspond with the working voltage of the fixture. Use min. 75°C supply.



##### Grounding Instructions

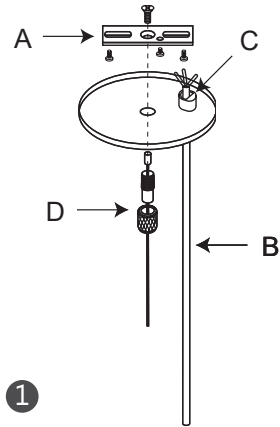
The grounding and bonding of the overall system shall be done in accordance with NEC Article 600 and local codes.



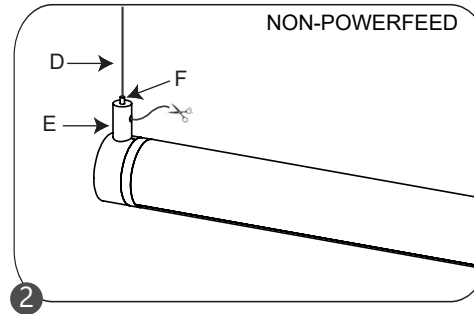
Follow all applicable safety procedures and use Personal Protective Equipment such as hardhats, safety glasses, reflective vest, electrical safety gloves, fall protection equipment and safety toe boots during the installation, operation, and maintenance of the luminaire.

## 12501-R2 - 12100-R2 PENDANT-MOUNT INSTALLATION INSTRUCTIONS

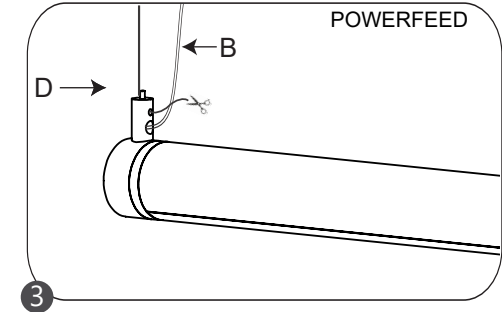
### Aircraft Cable Installation



Install canopy bracket (A) onto j-box and run power cord (B) through power feed canopy (C). Secure the power cord inside the canopy. Connect power cord to the ceiling power feed from j-box, place canopy in position on threaded stud and secure with cable mounting nut (D).

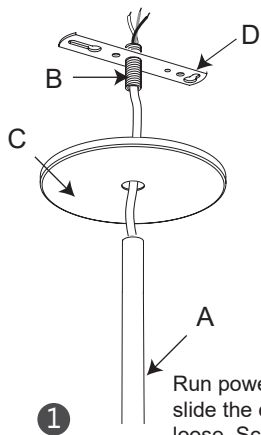


Insert aircraft cable through the non-power gripper (E) and exit out to the side. Trim the length if necessary. Adjust the cable length by pressing and releasing the nod (F) of the gripper.

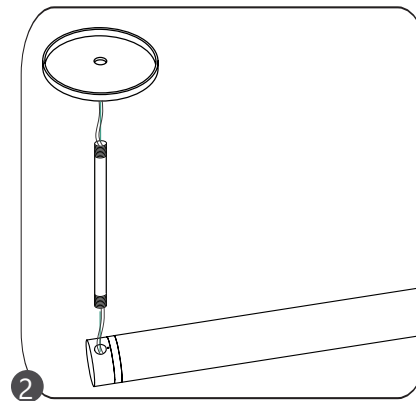


Power cord (B) will come pre-installed, exit out to the side of the fixture.

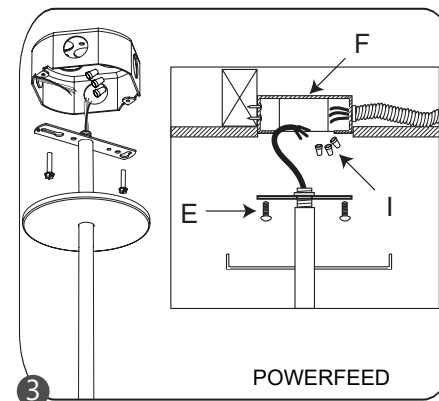
### Stem Installation



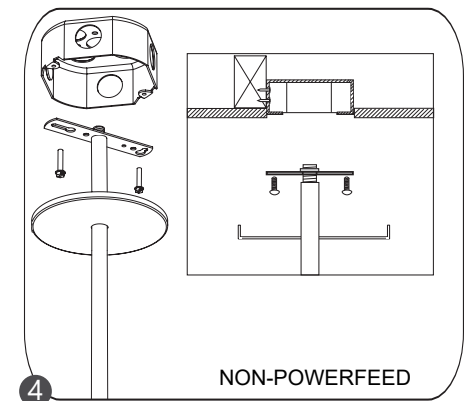
Run power cord through stem (A) and slide the canopy (C) through and leave loose. Screw the j-box bracket (D) with threaded stud (B) onto the stem to secure the stem.



Fix the stem onto the fixture's end cap.



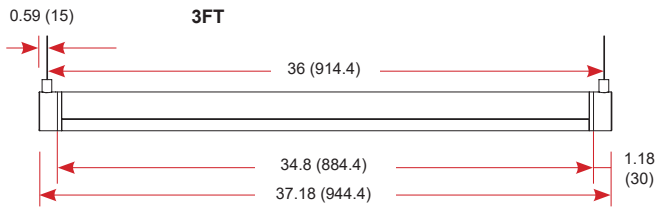
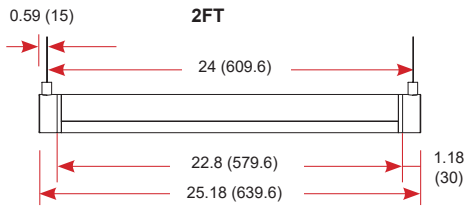
Align power side of the fixture to j-box (F) and secure with screws (E) to j-box bracket. Make electrical connection with wire nuts (I). Slide the canopy (C) and secure in place.



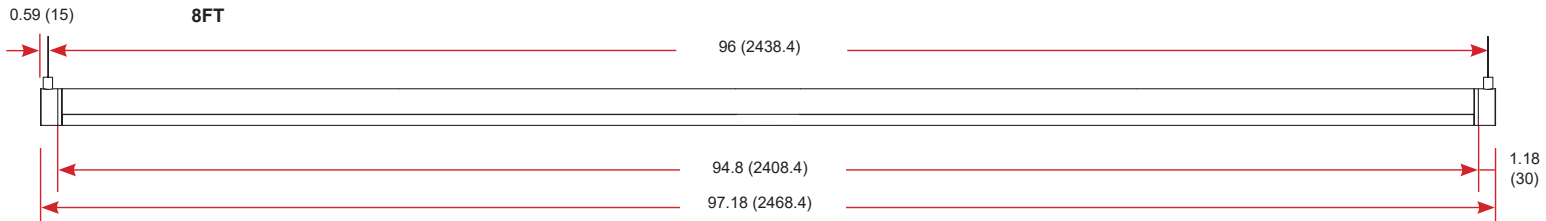
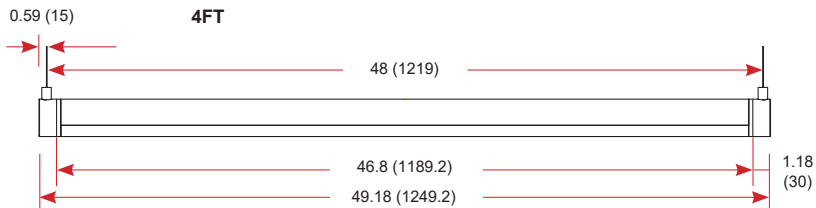
Align non-power side, secure with screws (E) to j-box bracket. Slide the canopy (C) and secure in place.

## 12501-R2 - 12100-R2 PENDANT-MOUNT CANOPY INSTALLATION INSTRUCTIONS

### Individual Installation



All dimensions are in inches (millimeters).



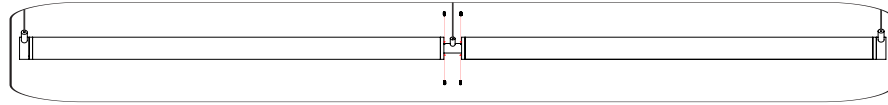
## 12501-R2 - 12100-R2 CONTINUOUS RUN INSTALLATION INSTRUCTIONS

### Joiner Installation

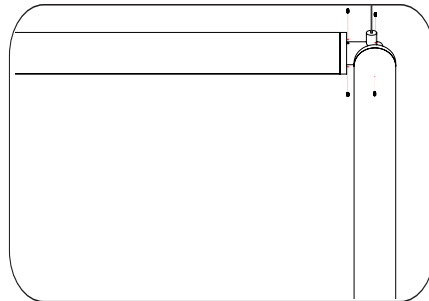


Hexagon wrench key is provided per fixture.

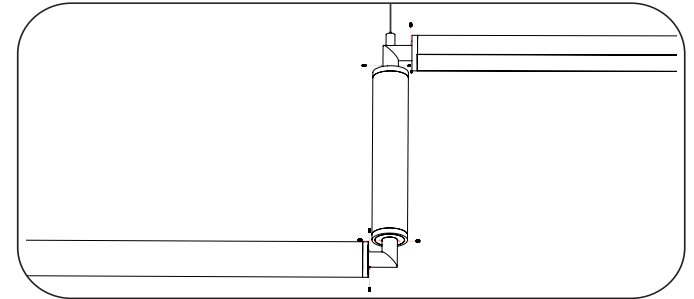
1. Linear continuous run (coupling)  
\* 4pcs of set screws per coupling included.



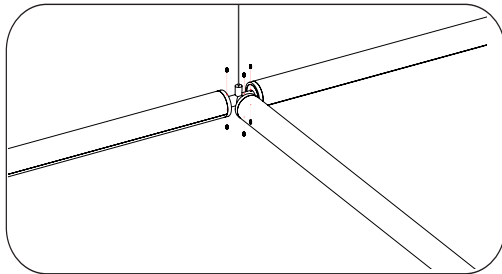
2. 90 degree corner (LC)  
\* 4pcs of set screws per LC included



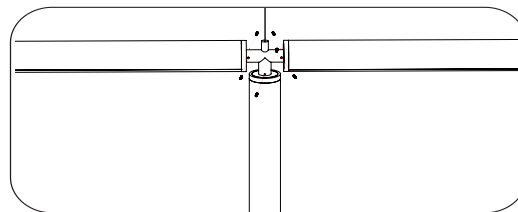
3. 90 degree vertical drip (LC-VD & LC-BT)  
\* 4pcs of set screws per LC included



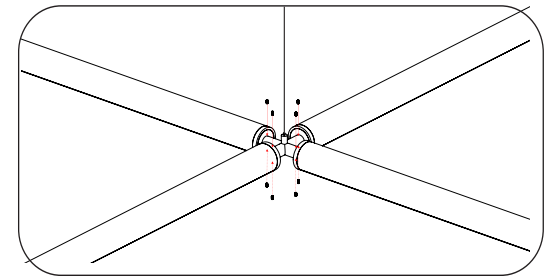
4. T-shape horizontal (TC)  
\* 6pcs of set screws per TC included



5. T-shape vertical drop (TC-VD)  
\* 6pcs of set screws per TC included



6. X-shape vertical drop (XC)  
\* 8pcs of set screws per XC included



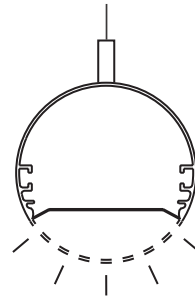


## 12501-R2 - 12100-R2 CONTINUOUS RUN INSTALLATION INSTRUCTIONS

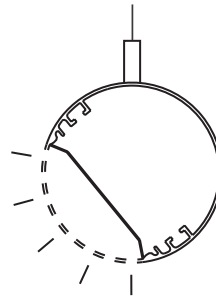
### Field Adjustable Angle Instructions



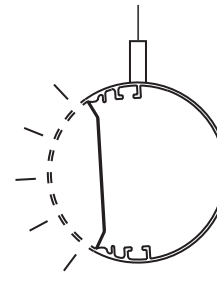
**Hexagon wrench key is provided**



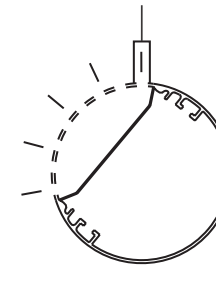
Standard



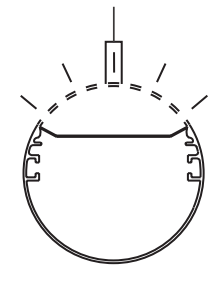
45°



90°



135°



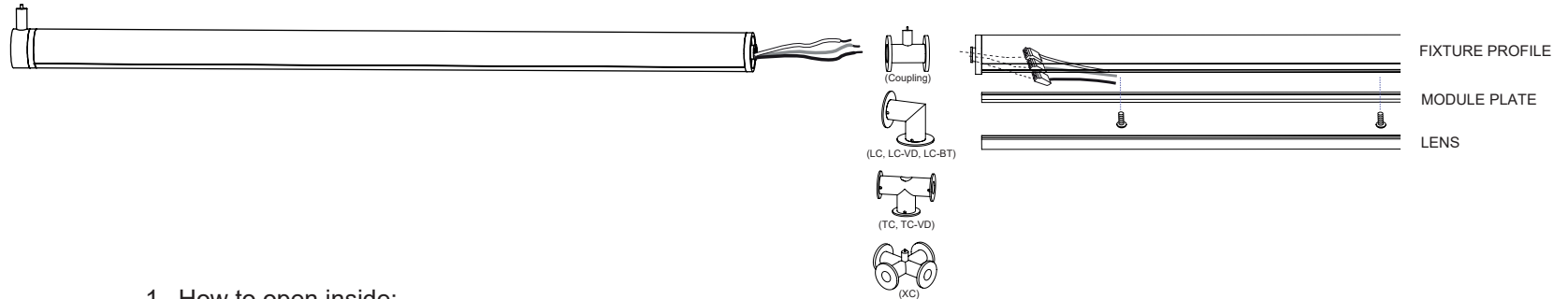
180° (Up)



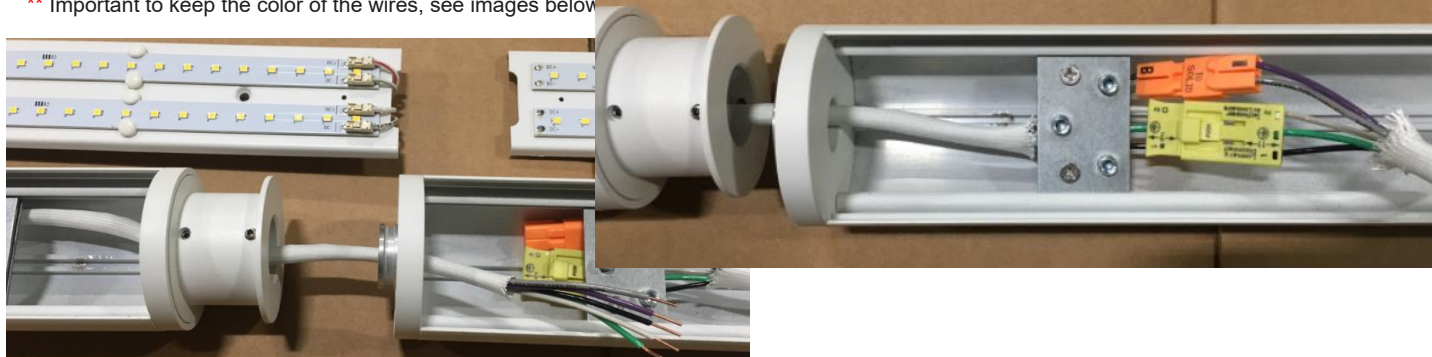
1. Use a hexagon wrench key provided to loosen the end cap / coupling / shaped joiner.
2. Look for laser print angle marks on the end of the fixture and rotate to your preferred angle.
3. Fix the end cap / coupling / shaped joiner.

## 12501-R2 - 12100-R2 CONTINUOUS RUN INSTALLATION INSTRUCTIONS

### Wire Connection



1. How to open inside:
  - a. Remove lens (This step can be omitted if lens is shipped separately).  
Label on the lens must match the label on the fixture. Remove the label on the lens once installation has been finished.
  - b. Remove module plate, unscrew few Philips screws, and connect the Wago connectors.
2. First fixture will have open wires and the receiving fixture will have both Male and Female Wago connectors pre-installed.  
Run the open wires through the coupling/shaped connector, and insert onto the Wago connector following the color of the wires.  
\*\* Important to keep the color of the wires, see images below



[FIG.1] transfer the open wires through the coupler onto the next fixture.

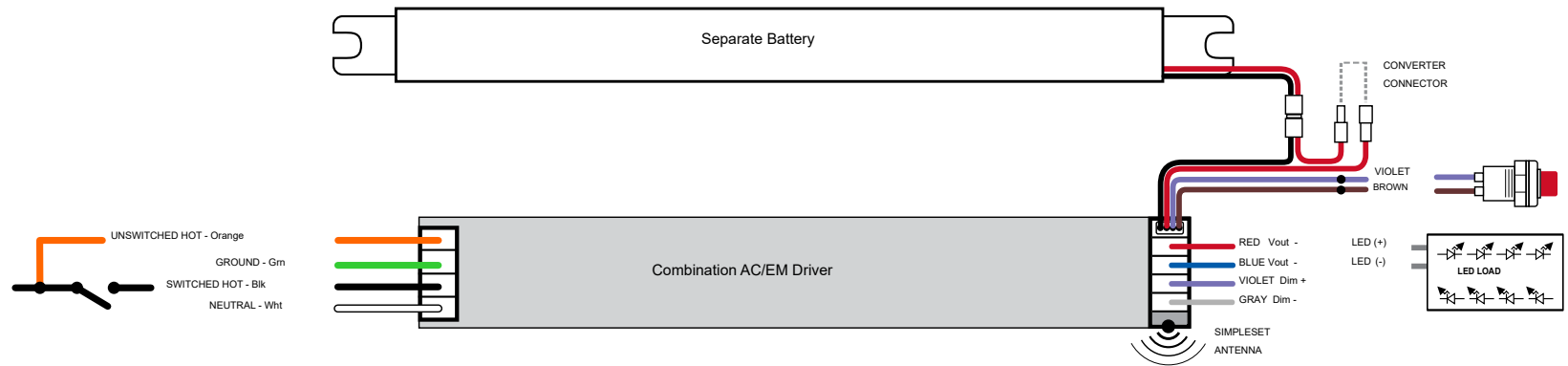
[FIG.2] insert each wire following the same color onto the connector.

## 12501-R2 - 12100-R2 CONTINUOUS RUN INSTALLATION INSTRUCTIONS

### Wire Connection

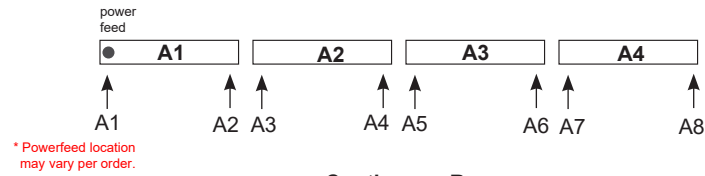
#### 3. Unit(s) with Emergency Battery Backup:

- It is important to open fixture to connect the converter connector and give a full 24 hours charge prior to operation.



## 12501-R2 - 12100-R2 CONTINUOUS RUN INSTALLATION INSTRUCTIONS

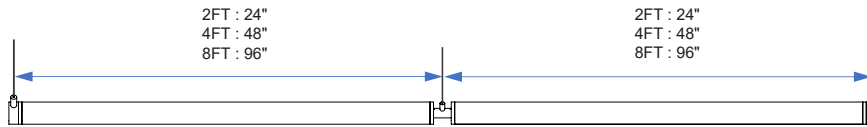
### Mounting Distance Information



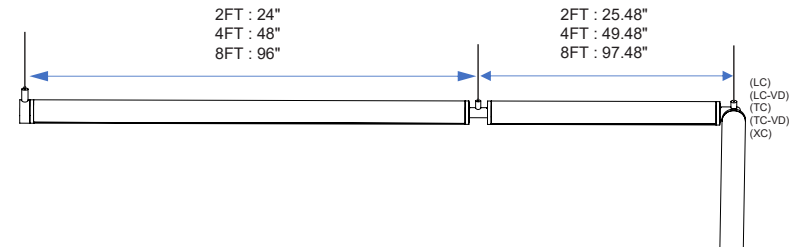
#### Continuous Row

Align continuous row fixtures in numerical order under the same alphabet family.

#### Linear Continuous Run



#### Linear Continuous to shaped joiner Run



#### Shaped joiner to another shaped joiner run - 90 degree, T shape, X shape

LC, TC, XC, LC-VD, TC-VD

